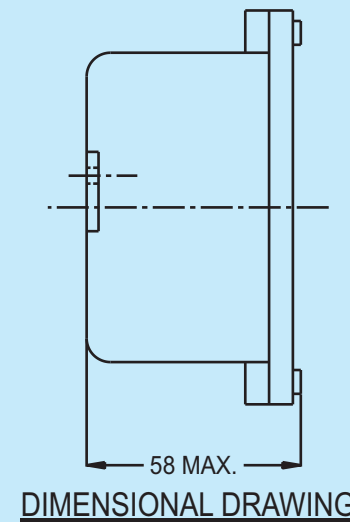
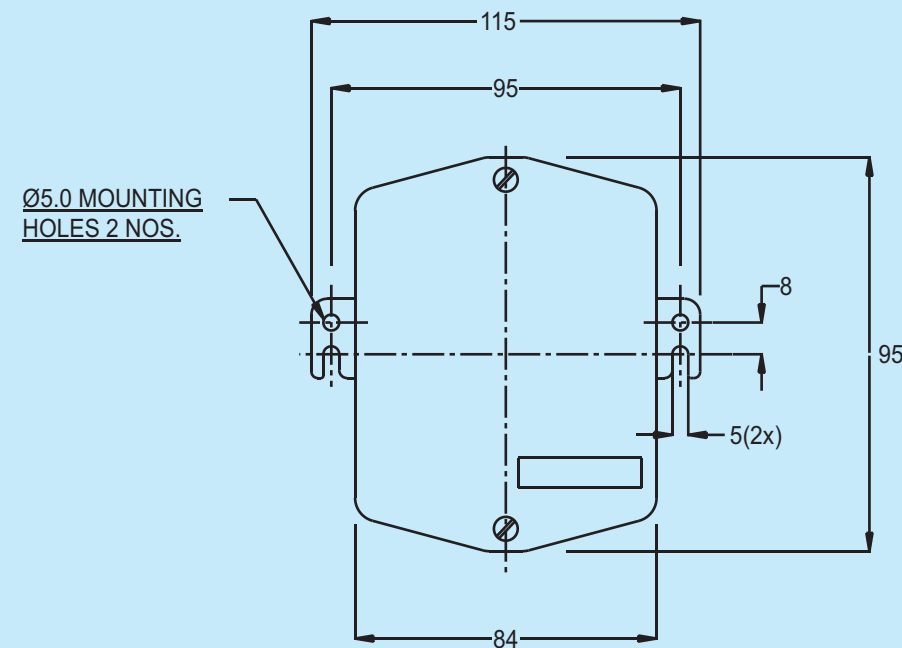
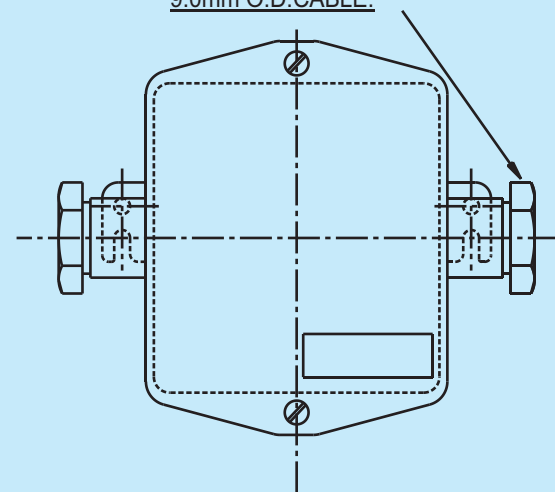


G.A. DRAWING - LDD 8930/32



GLANDS 2NOS.
5/8" SIZE TO SUIT
9.0mm O.D.CABLE.



ALL DIMENSIONS ARE IN MM
GENERAL TOL.±2.0 MM.

D. D. Electronic Equipments Private Limited

Work Address :
32/33, Prestige Plaza I,
Opp. Formica Akurdi, Pune - 411 035.
Tel : 020 - 46720088, **Fax :** 020 - 46720410
E-mail : info@ddsystem.net
Website : www.ddsystem.net
Branch Office :
15, Nabapally, Ananta Datta Road,
P.O. Italgacha, Kolkata - 79.
Tel : +91 - 9331658044

DEALER'S ADDRESS :



DATA SHEET

A leading Manufacturer & Service providers in Industrial communication & Fire Alarm System, having 25 years of extensive experience in this field presents Junction boxes like Weather proof Main Junction box, Weather proof speaker junction box, Weather proof Signal junction box with & without power supply etc.,

Insulation Resistance	: 500M ohms between terminal and Body
H.V. Test	: 2KV for 1 Minute between Mains Connector : 1.50KV for 1 Minute between Signal Connector
Weight	: 10.00Kg

WEATHERPROOF MAIN JUNCTION BOX LDD 8930/20

GENERAL:
LDD 8930/20 is a Weatherproof Main Junction Box used for Industrial Communication system to terminate the field wires. This main Junction Box is designed to use in diverse industrial environments. The construction of the JB is very simple for installation and Commissioning.

PRODUCT INFORMATION:

This unit is designed to connect the field wires like Mains, signal cable & speaker cables at the Control room near Central Exchange to terminate the field wires. UL approved connectors are used to hook the wires. The box is made of steel and it is wall mounting type Junction Box. Knockout holes are provided at top and bottom side of the JUNCTION BOX. Required holes can be removed and the cables can be inserted through the hole.

ELECTRICAL SPECIFICATIONS:

Ingress Protection	: IP54Material
Finish	: CRCA SHEET, THICKNESS 1.20MM : Painted stoving enamel stipple. Light Grey

WEATHERPROOF SPEAKER JUNCTION BOX LDD 8930/3X

GENERAL:
LDD 8930/3X is a weatherproof speaker junction box made of LM 6 materials used for connecting Mains & speaker wires at the field. This Junction Box is designed to use in diverse industrial environments. The construction of the JB is very simple for installation and Commissioning. The Junction Box is made of LM 6 materials.

PRODUCT INFORMATION:

This unit is designed to connect the Loud Speaker & IPA station. Speaker cables used in the open environment like in Chemical Plant, dust environment, corrosive atmosphere etc., can be terminated in this junction box. The connectors used in the Junction Box are UL approved. PCB used for soldering the Connector is MULTI LAYER PCB gives the better specifications and give more life to product.

This product is available with TWO models.
LDD 8930/30 – WEATHERPROOF JUNCTION BOX WITH THREE GLANDS.
LDD 8930/32 – WEATHERPROOF JUNCTION BOX WITH TWO GLANDS.

ELECTRICAL SPECIFICATIONS:

Power Supply:
 Ingress Protection : IP 66
 Material : PRESSURE DIE COASTING. LM 6
 Glands : Brass
 Finish : Painted stoving enamel stipple.
 Insulation Resistance : 500M ohms between terminal and Body
 H.V. Test : 2KV for 1 Minute between Mains Connector
 : 1.50KV for 1 Minute between Signal Connector
 Weight : 750 Gms.

This product is available with TWO models.
 LDD 8930/10 – WEATHERPROOF JUNCTION BOX WITH POWER SUPPLY FOR LDD 89XX/YY with SIGNAL LOOP IN LOOP OUT CONNECTORS.

LDD 8930/00 – WEATHERPROOF JUNCTION BOX WITHOUT POWER SUPPLY with SIGNAL LOOP IN LOOP OUT CONNECTORS.

ELECTRICAL SPECIFICATIONS:

Power Supply LDD 8930/10:
 Rated Input voltage : 240Vac (+/-10%)
 Current consumption (Full load) : 1200 mA (typ.)
 Rated output voltage (No load) : 37Vdc-45Vdc
 Rated output voltage (Full load) : 36Vdc-40Vdc

LDD 8930/00 & LDD 8930/10:

Ingress Protection : IP 66: 2.00Kg.
 Material : PRESSURE DIE CASTING, ALU. LM 6
 Glands : Brass
 Finish : Painted stoving enamel stipple.
 Insulation Resistance : 500M ohms between terminal and Body
 H.V. Test : 2KV for 1 Minute between Mains Connector
 : 1.50KV for 1 Minute between Signal Connector
 Dimensions : Refer G.A drawing.

ENVIRONMENTAL SPECIFICATIONS:

Intended operating environment: Outdoor, not temperature controlled.
 Temperature range : Operating :- 10°C to +55°C
 : Storage :- 40°C to +70°C
 Relative Humidity : Operating : < 90% R.H.
 : Storage : < 95% R.H.

WEATHERPROOF JUNCTION BOX WITH POWER SUPPLY LDD 8930/10

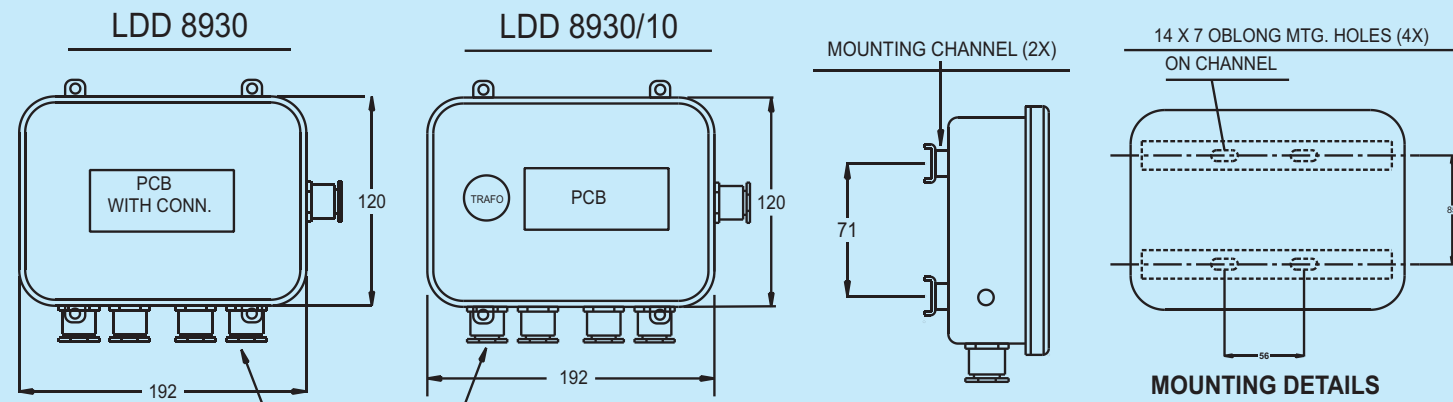
GENERAL:
 LDD 8930/10 is a weatherproof junction box having built in step down transformer and rectifier circuit which Provides 36VDC supply to Field Call Station. Also, this unit is having multilayer PCB with UL approved connectors for field connection like PVT, PAGE & FS signal etc.,

This Junction Box is designed to use in diverse industrial environments. The construction of the JB is very simple for installation and Commissioning. The Junction Box is made of LM 6 materials.

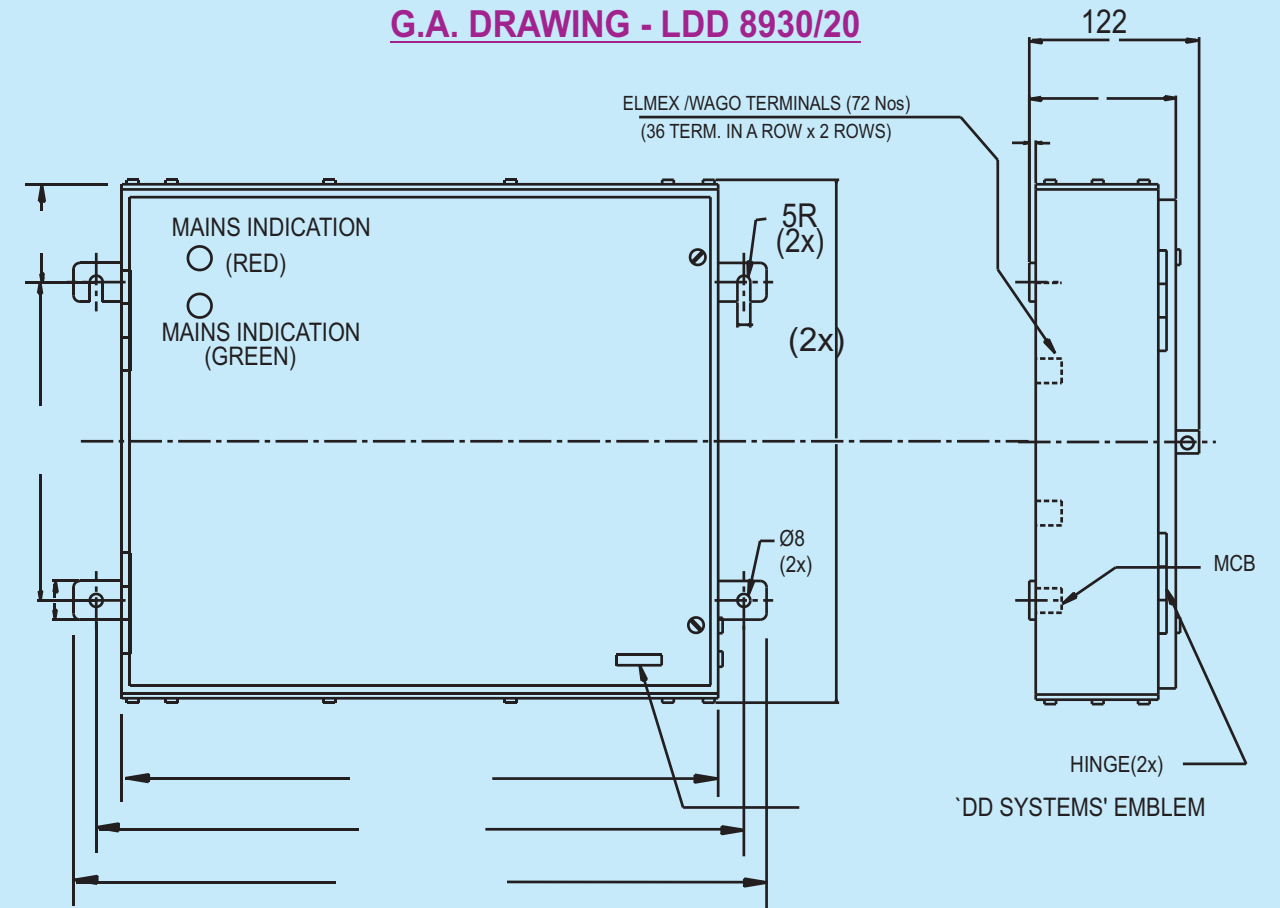
PRODUCT INFORMATION:

This unit is designed to connect the field wires like Mains, signal cable & speaker cables in the open environment like in Chemical Plant, dust environment, corrosive atmosphere etc., The connectors used in the Junction Box are UL approved. PCB used for soldering the Connector is MULTI LAYER PCB gives the better specifications and gives more life to product. This unit is having step down transformer and rectifier circuit with filter. The output of this unit (DC SUPPLY) is used as a supply voltage to LDD 892X/20. This unit can be wired for 110VAC as well 240VAC.

G.A. DRAWING - LDD 8930/10

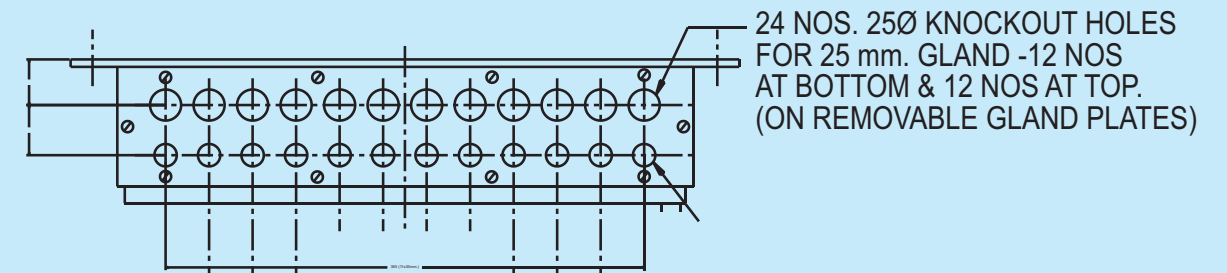


G.A. DRAWING - LDD 8930/20



ELEVATION

END VIEW



G.A. DRAWING - LDD 8930/30

